

TEC3000 Series Stand-Alone and Field Selectable BACnet® MS/TP or N2 Networked Thermostat Controllers

Description

The TEC3000 Series Thermostat Controllers are stand-alone and field-selectable BACnet® Master-Slave/Token-Passing (MS/TP) or N2 networked devices that provide on/off, floating, and proportional control of:

- local hydronic reheat valves
- pressure-dependent VAV equipment with or without local reheat
- two- or four-pipe fan coils
- cabinet unit heaters
- other zoning equipment using an on/off, floating, or 0 to 10 VDC proportional control input

Models also provide single- or two-stage control of unitary rooftop units (RTUs) with or without economizers and heat pumps.

The networked models feature a field-selectable Building Automation System (BAS) BACnet MS/TP or N2 communication capability that enables remote monitoring and programming for efficient space temperature control. All models include a USB port configuration that reduces installation time by allowing simple backup and restore features from a USB drive, which enables rapid cloning of configuration between like units.

Some models have occupancy sensing capability built into the device. These thermostat controllers maximize up to 30% energy savings in high-energy usage commercial buildings, such as schools and hotels, during occupied times by using additional standby setpoints.

All models feature an intuitive UI with backlit display that makes setup and operation quick and easy. Multiple fan configurations are supported for fan coil equipment types:

- single-speed
- multi-speed (two or three discrete speeds)
- variable-speed/EC motors (0 to 10 VDC control)

Some models support dehumidification on two-pipe fan coil units with reheat, and four-pipe fan coil units with or without reheat. When no heating is required, the thermostat controller monitors space humidity and activates dehumidification control as necessary. Heat and/or reheat is used as required to maintain the space temperature. For optimal dehumidification performance, use a fan coil unit that has a multi-speed or variable-speed fan (VSF).

Refer to the *TEC3000 Series Stand-Alone and Field Selectable BACnet MS/TP or N2 Networked Thermostat Controllers Product Bulletin (LIT-12011954)* for important product application information.

Features

- **Two Configurable Binary Inputs**—provide additional inputs for advanced functions such as remote night setback, service or filter alarms, motion detector, and window status, and configures the application to respond accordingly.
- **Field-Selectable BACnet MS/TP or N2 Networked Communication (TEC36xx-00-000 Models)**—simplifies the upgrade from N2 networked communication to BACnet MS/TP networked communication without changing hardware.
- **USB Port Configuration**—reduces installation time by allowing simple backup and restore features from a USB drive, which enables rapid cloning of configuration between like units.



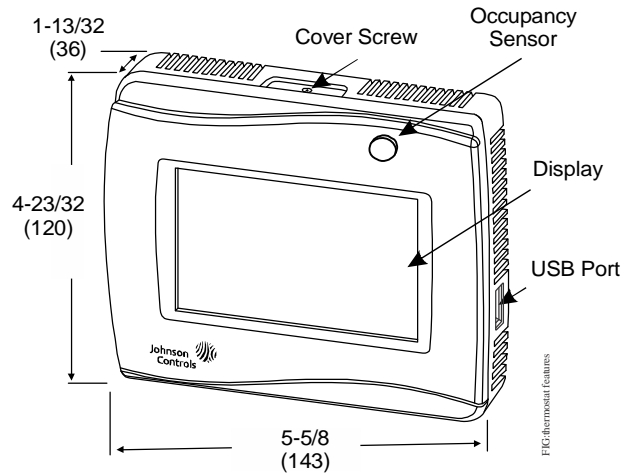
**TEC3000 Series Thermostat Controller
Shown with Occupancy Sensor**

- **Backlit Liquid Crystal Display (LCD)**—offers real-time control status of the environment in easy-to-read, plain text messages with adjustable backlight that brightens during user interaction.
- **Configurable Touch Screen UI**—allows facility managers to limit the user interaction with the thermostat controller display based on specific energy policies.
- **End-of-Line Switch**—simplifies the layout and installation of communication buses.
- **Mobile Access Portal (MAP) Gateway Compatibility (MAP Release 4.0 or Later)**—allows the user to view equipment and control conditions using mobile devices.
- **Stand-Alone and BACnet MS/TP or N2 Networked Models**—offers application flexibility.
- **Onboard Occupancy Sensor (TEC3xx1-00-000 and TEC3xx3-00-000 Models)**—provides energy savings in high-energy usage commercial buildings without additional installation time or cost.
- **On/Off, Floating, Proportional 0 to 10 VDC, and Single- or Two-Stage Control**—offers additional application flexibility by providing more advanced control signals.
- **Integral Humidity Sensor (TEC3xx2-00-000 and TEC3xx3-00-000 Models)**—monitors space humidity and activates dehumidification control on two-pipe fan coil units with reheat and four-pipe fan coil units with or without reheat.
- **Multiple Fan Configurations**—provide single-speed, multi-speed, and variable-speed fan control.
- **Full Line of Remote TE-6300 Series Temperature Sensors**—supports a wide range of remote temperature sensing needs from a single supplier.

Repair Information

If the TEC3000 Series Thermostat Controller fails to operate within its specifications, replace the unit. For a replacement thermostat controller, contact the nearest Johnson Controls® representative.

TEC3000 Series Stand-Alone and Field Selectable BACnet® MS/TP or N2 Networked Thermostat Controllers (Continued)



TEC3000 Series Thermostat Controller Shown with Occupancy Sensor, Dimensions, in. (mm)

Selection Charts

Thermostat Controller Models¹ (Part 1 of 2)

Product Code Number	Communication	Control Output	Onboard Occupancy Sensor	Dehumidification Capability
TEC3310-00-000	Stand-alone	On/off or floating fan coil and zoning	No	No
TEC3311-00-000	Stand-alone	On/off or floating fan coil and zoning	Yes	No
TEC3312-00-000	Stand-alone	On/off or floating fan coil and zoning	No	Yes
TEC3313-00-000	Stand-alone	On/off or floating fan coil and zoning	Yes	Yes
TEC3320-00-000	Stand-alone	0 to 10 VDC proportional fan coil and zoning	No	No
TEC3321-00-000	Stand-alone	0 to 10 VDC proportional fan coil and zoning	Yes	No
TEC3322-00-000	Stand-alone	0 to 10 VDC proportional fan coil and zoning	No	Yes
TEC3323-00-000	Stand-alone	0 to 10 VDC proportional fan coil and zoning	Yes	Yes
TEC3330-00-000	Stand-alone	Single- or two-stage RTU/heat pump with economizer	No	No
TEC3331-00-000	Stand-alone	Single- or two-stage RTU/heat pump with economizer	Yes	No
TEC3610-00-000	Field-selectable BACnet MS/TP or N2 networked	On/off or floating fan coil and zoning	No	No
TEC3611-00-000	Field-selectable BACnet MS/TP or N2 networked	On/off or floating fan coil and zoning	Yes	No
TEC3612-00-000	Field-selectable BACnet MS/TP or N2 networked	On/off or floating fan coil and zoning	No	Yes
TEC3613-00-000	Field-selectable BACnet MS/TP or N2 networked	On/off or floating fan coil and zoning	Yes	Yes
TEC3620-00-000	Field-selectable BACnet MS/TP or N2 networked	0 to 10 VDC proportional fan coil and zoning	No	No
TEC3621-00-000	Field-selectable BACnet MS/TP or N2 networked	0 to 10 VDC proportional fan coil and zoning	Yes	No
TEC3622-00-000	Field-selectable BACnet MS/TP or N2 networked	0 to 10 VDC proportional fan coil and zoning	No	Yes
TEC3623-00-000	Field-selectable BACnet MS/TP or N2 networked	0 to 10 VDC proportional fan coil and zoning	Yes	Yes

TEC3000 Series Stand-Alone and Field Selectable BACnet® MS/TP or N2 Networked Thermostat Controllers (Continued)

Thermostat Controller Models¹ (Part 2 of 2)

Product Code Number	Communication	Control Output	Onboard Occupancy Sensor	Dehumidification Capability
TEC3630-00-000	Field-selectable BACnet MS/TP or N2 networked	Single- or two-stage RTU/heat pump with economizer	No	No
TEC3631-00-000	Field-selectable BACnet MS/TP or N2 networked	Single- or two-stage RTU/heat pump with economizer	Yes	No

1. Multiple fan configurations are supported for fan coil equipment types.

Accessories (Order Separately)

Product Code Number	Description
TEC-WALLPLT	Wallplate for retrofitting existing installations or concealing mounting surface damage; can be used with any TEC3000 Series Thermostat Controller
TE-6300 Series ¹	Remote temperature sensors
T-4000-119	Allen-head adjustment tool (30 per bag)

1. See Johnson Controls TE-6300 Series Room Temperature Sensors table for ordering details regarding Johnson Controls TE-6300 Series Remote Temperature Sensors.

Johnson Controls TE-6300 Series Temperature Sensors (Order Separately) (Part 1 of 2)

Sensor Type	Mounting Style	Probe Length	Product Code Number
Nickel (1k ohm)	Adjustable ¹	8 in. (203 mm)	TE-6311A-1
		Averaging	8 ft (2.4 m)
			TE-6315V-2 ¹
	17 ft (5.2 m)		TE-6316M-1
			TE-6316V-2 ¹
	Duct	4 in. (102 mm)	TE-631GM-1
		8 in. (203 mm)	TE-6311M-1
		18 in. (457 mm)	TE-6311P-1
	Flange	4 in. (102 mm)	TE-631JM-1
		8 in. (203 mm)	TE-631GV-2
	Flush	N/A	TE-6311V-2
			TE-6310F-0
	Outside air	N/A	TE-6310F-1
	Strap-mount	N/A	TE-6313P-1
	Wall ²	N/A	TE-631S-1
	Well	6 in. (152 mm)	TE-6314P-1
8 in. (203 mm)		TE-631AM-2	
		TE-6312M-1	

TEC3000 Series Stand-Alone and Field Selectable BACnet® MS/TP or N2 Networked Thermostat Controllers (Continued)


Johnson Controls TE-6300 Series Temperature Sensors (Order Separately) (Part 2 of 2)

Sensor Type	Mounting Style	Probe Length	Product Code Number
Platinum (1k ohm)	Adjustable	8 in. (203 mm)	TE-6351-A
	Duct	4 in. (102 mm)	TE-635GM-1
		8 in. (203 mm)	TE-6351M-1
			TE-6351P-1
		18 in. (457 mm)	TE-635JM-1
	Flange	4 in. (102 mm)	TE-635GV-2
		8 in. (203 mm)	TE-6351V-2
	Flush	N/A	TE-6350F-0
			TE-6350F-1
	Strap-mount	3 in. (76 mm)	TE-635S-1
	Outside air	3 in. (76 mm)	TE-6353P-1
	Wall ²	N/A	TE-6324P-1
	Well	6 in. (152 mm)	TE-635AM-2
8 in. (203 mm)		TE-6352M-1	
Platinum Equivalent	1k ohm averaging ¹	10 ft (3 m)	TE-6327P-1
		20 ft (6.1 m)	TE-6328P-1
	100 ohm averaging ¹	10 ft (3 m)	TE-6337P-1
		20 ft (6.1 m)	TE-6338P-1
Thermistor (2.2k ohm)	Adjustable	8 in. (203 mm)	TE-6341A-1
	Duct	8 in. (203 mm)	TE-6341P-1
	Flange	4 in. (102 mm)	TE-634GV-2
		8 in. (203 mm)	TE-6341V-2
	Outside air	3 in. (76 mm)	TE-6343P-1
	Wall ²	N/A	TE-6344P-1
	Well	8 in. (203 mm)	TE-6342M-1
6 in. (152 mm)		TE-634AM-2	
Thermistor (10k ohm) Type II	Adjustable	8 in. (203 mm)	TE-6361A-1
	Duct	4 in. (102 mm)	TE-636GM-1
		8 in. (203 mm)	TE-6361M-1
			TE-6361P-1
		18 in. (457 mm)	TE-636JM-1
	Flange	4 in. (102 mm)	TE-636GV-2
		8 in. (203 mm)	TE-6361V-2
	Flush	N/A	TE-6360F-0
			TE-6360F-1
	Outside air	3 in. (76 mm)	TE-6363P-1
	Strap-mount	3 in. (76 mm)	TE-636S-1
Well	6 in. (152 mm)	TE-636AM-2	
	8 in. (203 mm)	TE-6362M-1	

- Two TE-6001-8 Element Holders come with the platinum-equivalent averaging sensors. Order separately to use with a nickel averaging sensor.
- Order the TE-1800-9600 Mounting Hardware separately to mount the wall unit to a wallbox.

TEC3000 Series Stand-Alone and Field Selectable BACnet® MS/TP or N2 Networked Thermostat Controllers (Continued)

Technical Specifications

TEC3000 Series Stand-Alone and Field-Selectable BACnet MS/TP or N2 Networked Thermostat Controllers		
Power Requirements		19 to 30 VAC, 50/60 Hz, 4 VA at 24 VAC nominal, Class 2 or safety extra-low voltage (SELV)
Analog Output Rating (Proportional Control Models)		0 to 10 VDC into 2k ohm resistance (minimum)
Relay Contact Rating (On/Off, Floating, or Staged Economizer Control Models)		19 to 30 VAC, 1.0 A maximum, 15 mA minimum, 3.0 A in-rush, Class 2 or SELV
Fan Relay Output Rating (On/Off, Floating, and Proportional Control Models)		19 to 30 VAC, 1.0 A maximum, 15 mA minimum, 3.0 A in-rush
Auxiliary Output Rating/Triac Output (On/Off, Floating, and Proportional Control Models)		19 to 30 VAC, 1.0 A maximum, 15 mA minimum, 3.0 A in-rush
Binary Inputs		Dry contact across terminal COM to terminals BI1, BI2, or COS
Analog Inputs		Nickel, platinum, A99B, 2.25k ohm negative temperature coefficient (NTC), 10k ohm NTC, 10k ohm NTC Type 3 across terminal COM to terminals R SEN or COS
Temperature Sensor Type		Local 1k ohm platinum sensor
Wire Size		18 AWG (1.0 mm diameter) maximum, 22 AWG (0.6 mm diameter) recommended
MS/TP Network Guidelines		Up to 100 devices maximum per Network Automation Engine (NAE); 4,000 ft (1,219 m) maximum cable length
Temperature Range	Backlit Display	-40.0°F/-40.0°C to 122.0°F/50.0°C in 0.5° increments
	Heating Control	40.0°F/4.5°C to 90.0°F/32.0°C
	Cooling Control	54.0°F/12.0°C to 100.0°F/38.0°C
Accuracy	Temperature	±0.9F°/±0.5C° at 70.0°F/21.0°C typical calibrated
	Humidity (On/Off, Floating, and Proportional Control Models)	±5% RH from 20 to 80% RH at 50 to 90°F (10 to 32°C)
Minimum Deadband		2F°/1C° between heating and cooling
Occupancy Sensor Motion Detection (Occupancy Sensing Models)		Minimum of 94 angular degrees up to a distance of 15 ft (4.6 m); based on a clear line of sight
Ambient Conditions	Operating	32 to 122°F (0 to 50°C); 95% RH maximum, noncondensing
	Storage	-22 to 122°F (-30 to 50°C); 95% RH maximum, noncondensing
Compliance 	BACnet International	BACnet Testing Laboratories™ (BTL) 135-2001 Listed BACnet Application Specific Controller (B-ASC)
	United States	UL Listed, File E27734, CCN XAPX, Under UL60730 FCC Compliant to CFR 47, Part 15, Subpart B, Class B
	Canada	UL Listed, File E27734, CCN XAPX7 Under E60730 Industry Canada, ICES-003
	Europe	CE Mark – Johnson Controls, Inc., declares that this product is in compliance with the essential requirements and other relevant provisions of the EMC Directive and the RoHS Directive.
	Australia and New Zealand	RCM Mark, Australia/NZ Emissions Compliant
Shipping Weight	Models without Occupancy Sensor	0.75 lb (0.34 kg)
	Models with Occupancy Sensor	0.77 lb (0.35 kg)